

Völker healthcare beds: the best in many ways.



Complete concept



Lying better



Absolute stability



Guaranteed safety



German engineering



Independent mobility



Independence & protection



Many design choices

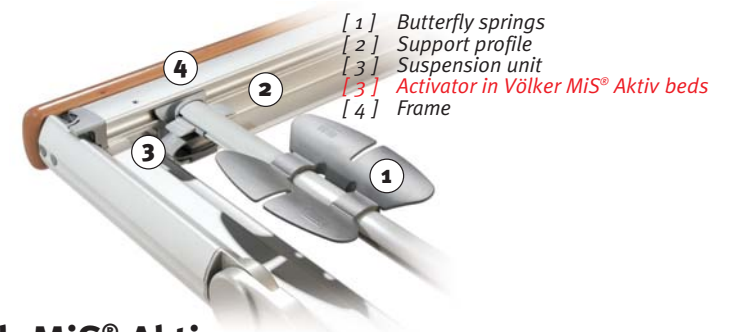




Lying better Systematic pressure sore prevention: MiS® Micro-stimulation.

- Ideal lying comfort
- Self perception promoted
- Increased resident mobility
- Pain reduction

AND NOW: alternating pressure therapy with MiS® Aktiv.



Complete concept High technology, low maintenance.

- Enclosed components, smooth surfaces
- Integrated cord management
- Stainless materials, maintenance-free motors
- Extended maintenance intervals, cartridge components



German engineering Made in Germany.

- High quality manufacturing
- Beds meet current standards
- Certified by independent quality inspection institutes
- Compliance with international marks of conformity
- Original inspection in accordance with VDE 0751 at place of production
- In accordance with DIN EN 60601-1, 60601-2-38 and EN 1970



Independence and protection Assist rails that provide independence and protection.

- Today's integrated, two-part, assist rails by Völker meet tomorrow's guidelines today (FDA etc.)
- Völker assist rails hide away when not in use to enhance resident dignity
- Völker's patented assist rails provide a completely flexible solution, going from no rail to assist rail or (with accessory) to complete rail as needed

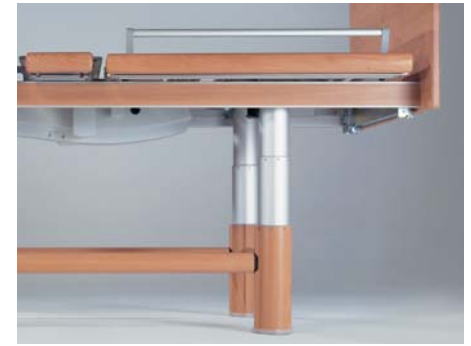


To move the bed, four special casters are conveniently extended by the pushing the correct buttons on the hand control. The bed can easily be moved by one person. The casters themselves include double ball-bearing high-strength wheels with encased bearings. They are 25 mm wide, and the indestructible Vulculan tread can support a load of 330 lbs/(150 kg) per caster.



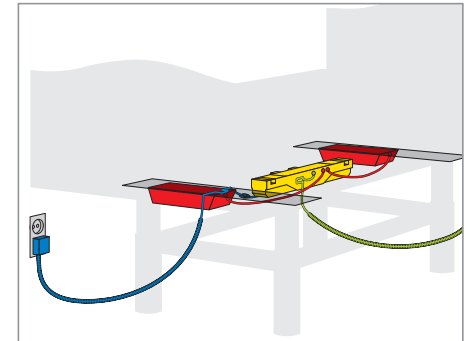
Absolute stability Safety in motion.

- Four telescoping lifting legs provide maximum stability when casters are retracted (patented)
- Smooth, quiet up and down height adjustment
- Synchronized lifting ensures level height adjustment
- Lying surface remains secure, horizontally and laterally, even when unevenly loaded



Guaranteed safety Electrical safety guarantee.

- Main power cut-out switch (also prevents electrical fields)
 - Multiple fusing system
- Thermal overload protection
 - Double insulated design



Independent mobility We encourage independence.

- Promoting opportunities for independent mobility
- Infinitely adjustable positioning by means of a hand control
 - Convenient hand control mounting choices
 - Adjustable assist rails facilitate independence
- As much protection as necessary, as much freedom as possible



Many design choices A significant product line.

- Repeated award winning Health Care Design
- Providing a sense of residents' well-being
 - Content residents, content families
- Motivating nursing, lowering staff turnover
- Promoting the image of the health care facility



Völker Care Concept

Additional Information

Völker healthcare beds have so much to offer. If you want more detailed information on our many advantages
please fill in this page and fax it to: +49 2302 96096-16

Last name, first name

Healthcare facility, if applicable

Street

City, State, Zip Code

Country

Phone

E-mail

Please call me to make an appointment.

