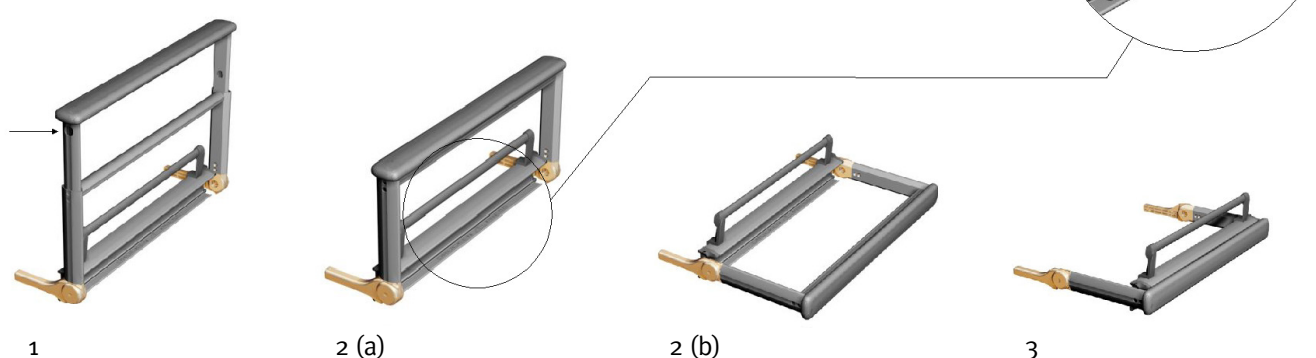


A. Side rails

To raise a side rail section,
pull section horizontally out of its location to end-stop and fold it upwards. In order to adjust the height of the side rail, pull the telescopic part up to the stop.

To lower a side rail section completely,

1. Press the two buttons on the inner side of the frame, right above the cross-member, so that the height-adjustable side rail section can be put into its lowest position.
2. Operate the (2a) release button labelled "Push" at the bottom of the side rail part and (2b) tilt it horizontally to the side so that it runs parallel to the floor.
3. Push the side rail completely under the lying surface.




B. Hand control

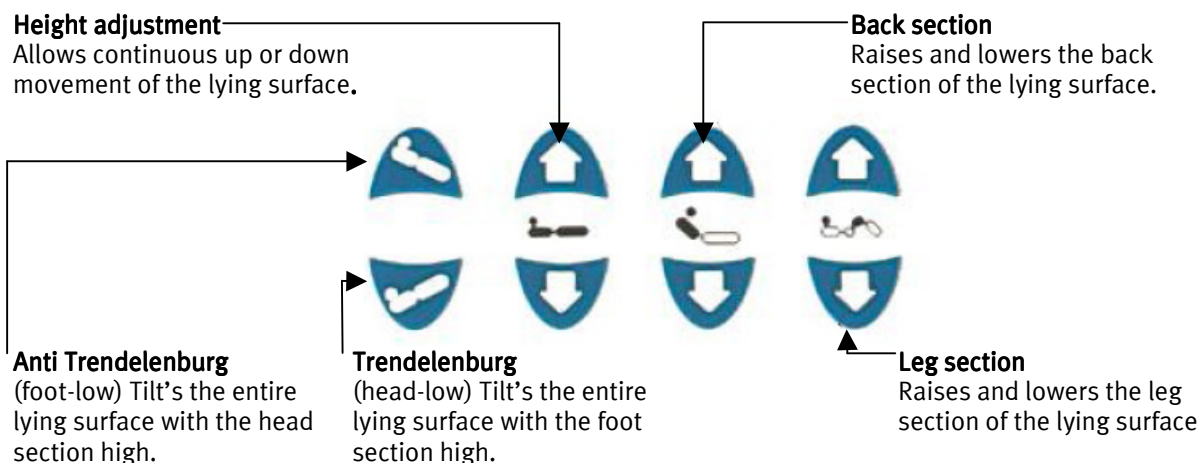
back section up →  ← back section down

upper leg section up →  ← upper leg section down

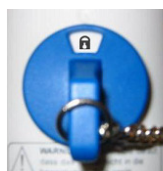
Height adjustment up →  ← Height adjustment down

Comfort-button
(Anti-Trendelenburg position)
Activate / Deactivate → 

C. Caregiver's console with complete lock-out (optional)



By activating the control lock on the hand control unit, you lock all functions on the hand control. You can still operate the bed by using the caregiver's console.

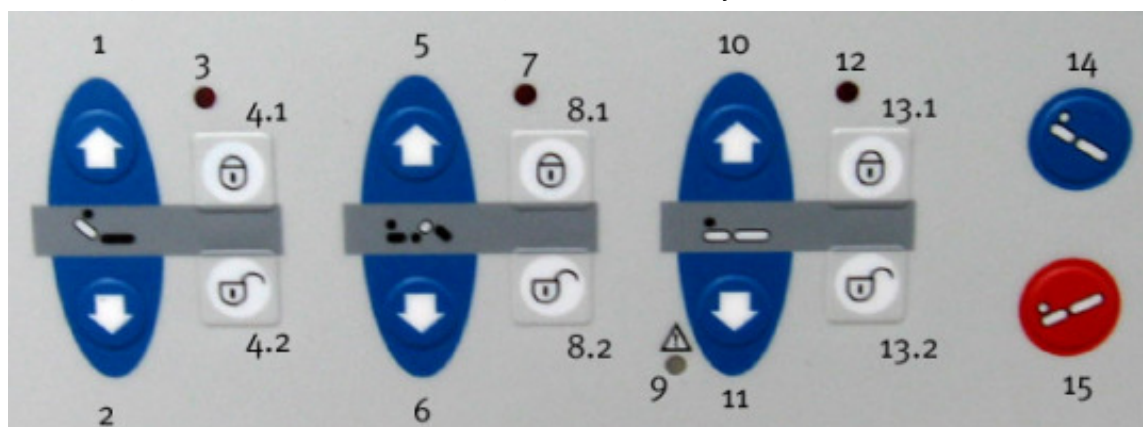


Activate control lock



Deactivate control lock

D. Caregiver's console with single lock-out (optional)



- | | | | |
|-----|----------------------------------|------|--|
| 1 | Back section up | 8.2 | Unlock upper leg section |
| 2 | Back section down | 9 | LED - lowest position of height adjustment |
| 3 | LED - lock of back section * | 10 | Height adjustment up |
| 4.1 | Lock back section | 11 | Height adjustment down |
| 4.2 | Unlock back section | 12 | LED - lock of height adjustment * |
| 5 | Upper leg section up | 13.1 | Lock height adjustment |
| 6 | Upper leg section down | 13.2 | Unlock height adjustment |
| 7 | LED - lock of upper leg section* | 14 | Anti-Trendelenburg position |
| 8.1 | Lock upper leg section | 15 | Trendelenburg position |

* Glows if function is locked and movement is requested.



Please pay attention to the information in the operating instructions.



Please note that it is not allowed to use the bed for transporting patients.